



COMMERCIAL MULTI-ANGLE BENCH

Model 874MA

+ Owner's Manual

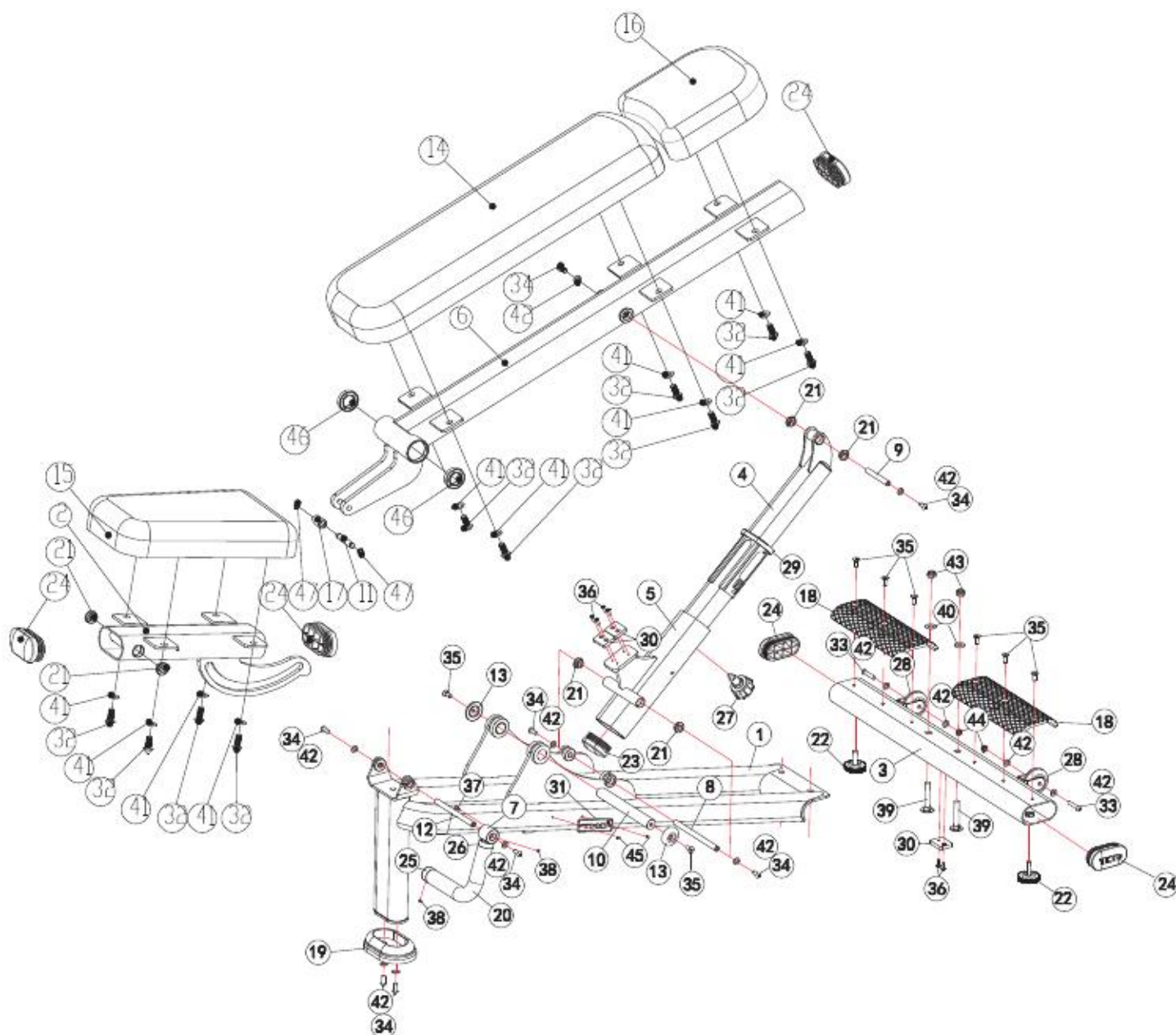
V2.0—06.2012

www.tko.com

PARTS LIST

NO.	DESCRIPTION	Q'TY	NO.	DESCRIPTION	Q'TY
1	Main Frame	1	25	Chrome Cap for handle	1
2	Seat Pad Support Frame	1	26	Metal Ring	1
3	Base Frame	1	27	Tension Knob	1
4	Adjustment Inner Post	1	28	Transport Wheel	2
5	Adjustment Support Frame	1	29	Plastic Sleeve	1
6	Back Pad Support Frame	1	30	EVA Cushion	3
7	Handle	1	31	Name Plate	1
8	Shaft 12 x 174mm	1	32	Allen Bolt M10 x 25mm	10
9	Shaft 12 x 88mm	1	33	Allen Bolt M8 x45mm	2
10	Shaft 25 x 210mm	1	34	Allen Bolt M8 x 20mm	8
11	Pivot shaft 10 x 62.4mm	1	35	Allen Bolt M8 x 20mm	8
12	Handlebar Shaft 12 x 153mm	1	36	Screw M5 x 15mm	6
13	Cap	2	37	Allen Bolt M5 X10mm	1
14	Back Pad	1	38	Screw M6 x4mm	2
15	Seat Pad	1	39	Carriage Bolt M12 x70mm	2
16	Pillow	1	40	Flat Washer M12	2
17	Nylon Sleeve	1	41	Flat Washer M10	10
18	Foot Padding	2	42	Flat Washer M8	12
19	End Cap	1	43	Nylon Nut M12	2
20	Foam	1	44	Nylon Nut M8	2
21	Metal Bushing	6	45	Rivet 4 dia. X 12mm L.	2
22	Leveler	2	46	Bearing 61905ZZ	2
23	End Cap 40 x 80mm	1	47	Metal Ring	2
24	End Cap 50 x 100mm	5			

MULTI ANGLE BENCH



ASSEMBLY

STEP 1

Please connect the Main Frame (1) to the Base Frame (3), using 2 Carriage Bolts (39), 2 Flat Washers (40) and 2 Lock Nuts (43). Please tighten the bolts and nuts,

